

BIMETALLIC STEAM TRAP UniAdca BS22

DESCRIPTION

UniAdca BS22 complete stainless steel, maintenance free sealed series bimetallic steam traps and air eliminators are simple and robust traps, recommended for steam tracing applications and where condensate sensible heat can be recovered.

These traps fit the CX40 UniAdca connectors.

MAIN FEATURES

- Modulating discharge.
- Discharges condensate below steam temperature.
- Excellent air discharge.
- Operates on superheated steam.
- Unaffected by water-hammer and vibrations.

- OPTIONS:** Sealed with external regulation
- USE :** Saturated and superheated steam.
- AVAILABLE MODELS :** BS 22

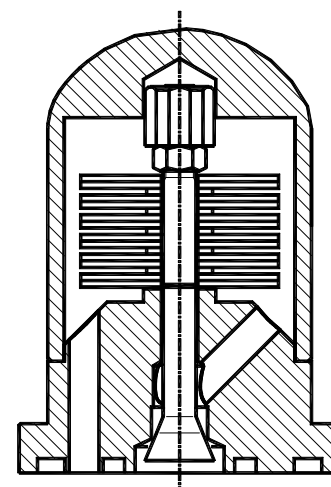
- SIZES :** DN 1/2", 3/4" and 1"
DN 15, 20 and 25.
According to the selected pipeline connector ,see IS 1.0910

- INSTALLATION:** In any position.
See IMI installation and maintenance instructions.

- PMA – Max. allowable pressure 80 bar
TMA – Max. allowable temperature 425 °C
PMO – Max. operating pressure 22 bar
TMO – Max. operating temperature 400 °C

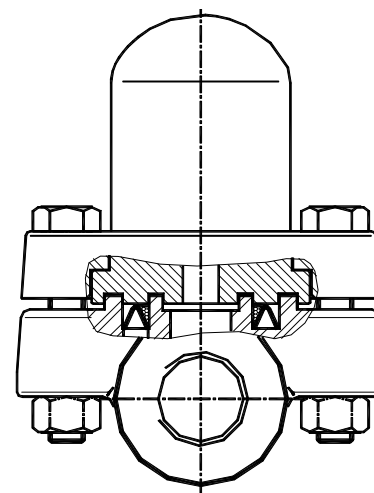
How to order:

- Steam trap: BS 22 (Bimetallic steam trap).
- Pipe connector:
- CX40S DN ... (Forged steel pipe connector)
- CX40SS DN ... (Stainless steel pipe connector)
- The complete set:
- BS22XS DN ... (Steel pipe connector CX40S plus BS22 bimetallic steam trap)
- BS22XSS DN...(Stainless steel pipe connector CX40SS plus BS22 steam trap)



Materials:

- AISI316 / 1.4401 throughout
- Regulator - bimetallic
- Valve - hardened stainless steel
- Weight - 0,6 Kgs



Steam trap plus pipe connector
See IS 1.0915

FLOW RATE CAPACITY IN Kgs/h															
MODEL	SIZE	DN	DIFFERENTIAL PRESSURE (bar)												
			0,5	1	2	4	6	8	10	12	14	16	18	20	22
BS 22	15 - 25	A	120	180	210	300	340	400	420	450	480	520	560	580	600
BS 22	15 - 25	B	400	550	660	910	1050	1200	1260	1350	1440	1560	1680	1740	1800

A = Condensate discharge at 10°C below saturation temperature. **B** = Cold water capacity at about 20°C.