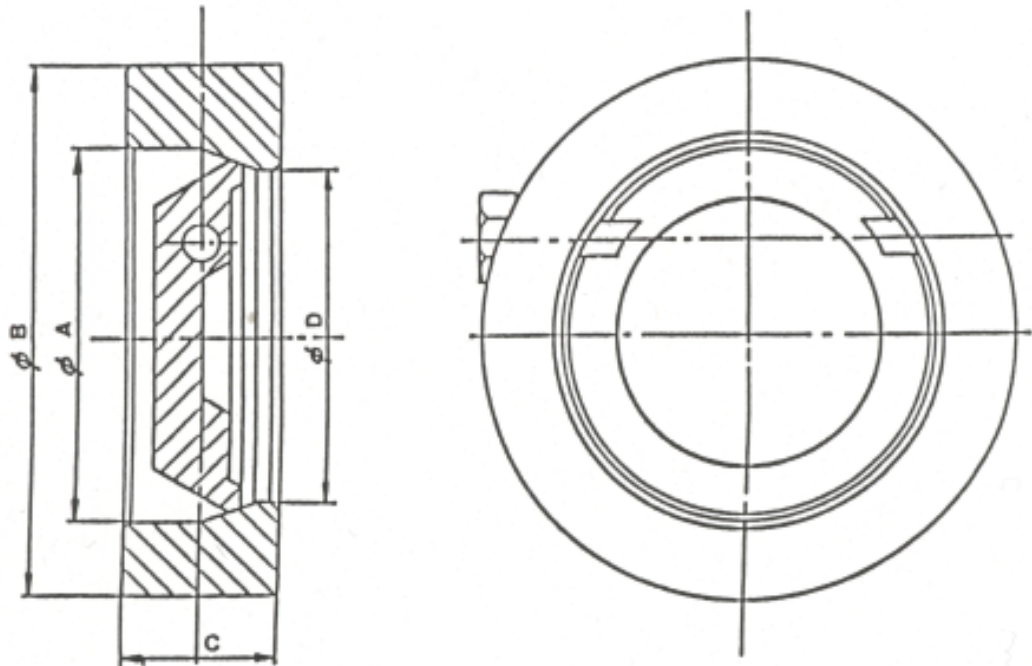


Checkvalve

Protek Typ BAS 102
Checkvalve
Swing type
Pn 10 - 40



Dimensions mm

DN	Size	DiaA	DiaB	C	DiaD
15	1/2"	28	50	30	16
20	3/4"	28	60	30	20
25	1"	28	68	30	24
32	1 1/4"	28	78	30	24
40	1 1/2"	42	88	40	36
50	2"	52	102	43	46
65	2 1/2"	67	122	46	62
80	3"	82	135	46	72
100	4"	102	158	52	89
125	5"	127	188	56	116

Design

The valve is designed for mounting between flanges DIN Pn 10 - 40.

The swing -type disk is excentrically hinged. The seal between body and disk is by direct contact, which provides relatively good leakproofing.

Material

Body SS 2343AISI 316
Disk SS 2343AISI 316
Stem SS 2343AISI 316
Cover SS 2343AISI 316

BAS 102 can be supplied in other steelgrades as Titanium, Hastelloy, AISI 317, 904L, SANICRO 28 AND 254SMO